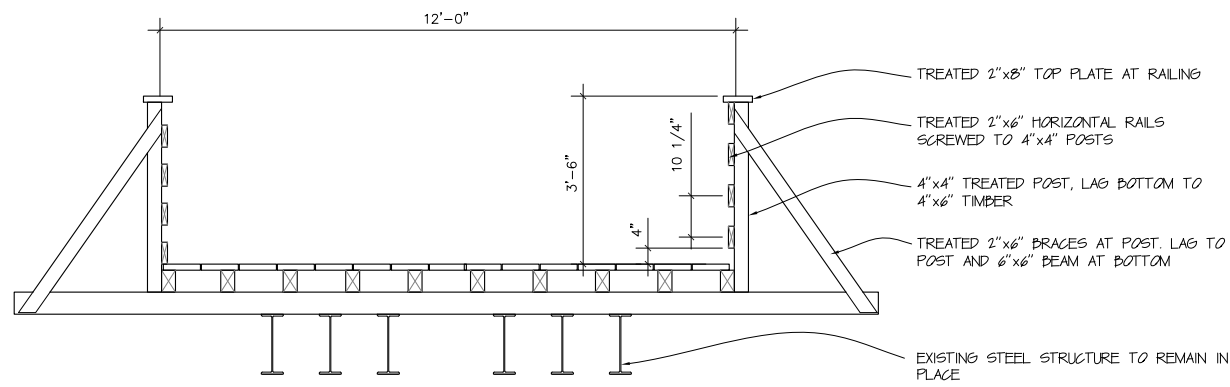
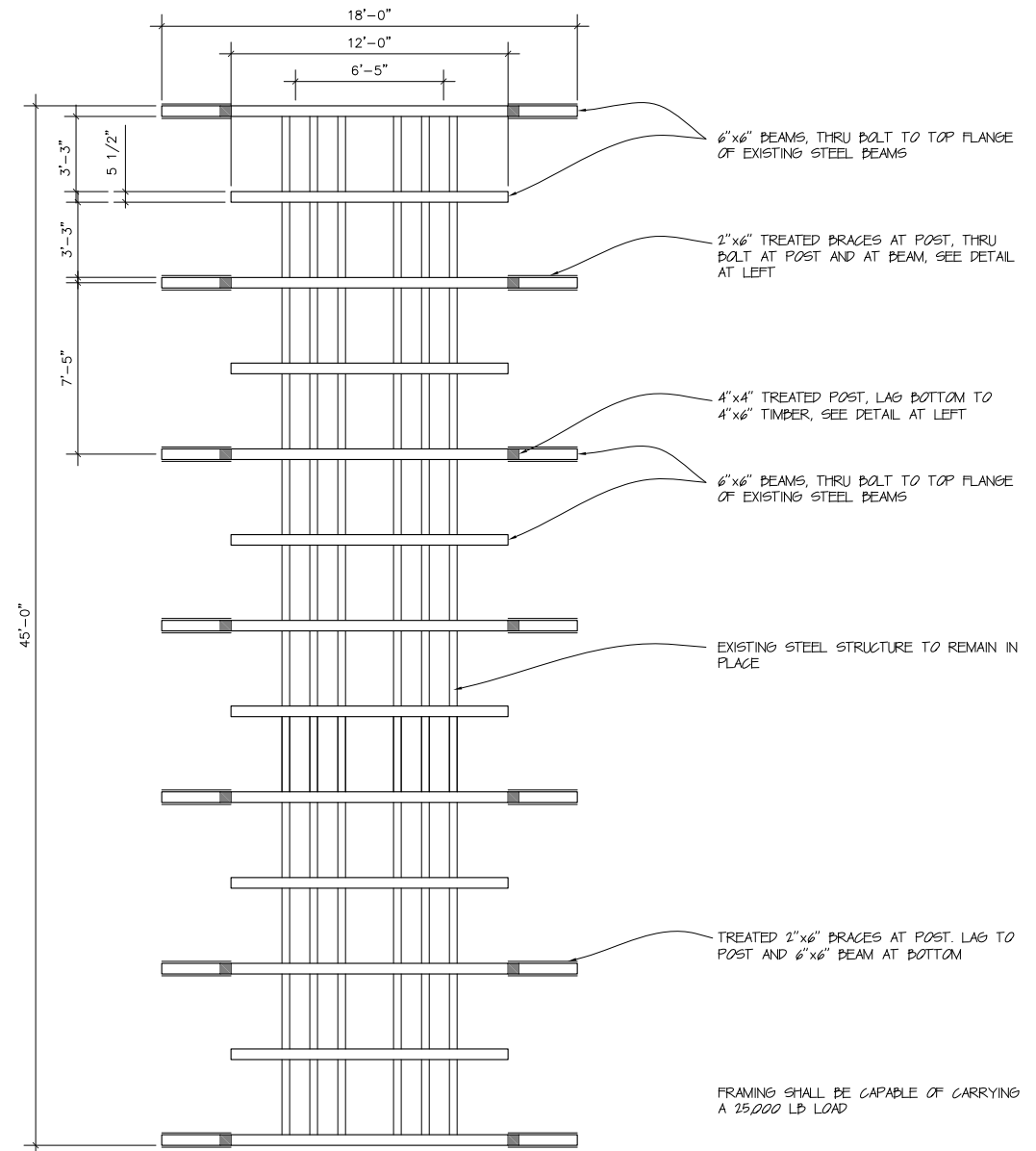


2 NEW DECK FRAMING SECTION
 A101 SCALE : 1/4" = 1'-0"



3 RAILING SECTION
 A101 SCALE : 1/4" = 1'-0"



1 NEW BEAM PLAN
 A101 SCALE : 1/4" = 1'-0"



PRELIM DES.	DATE	STATE APPR.	DATE
DATE			
Sept. 12, 2021			
PROJECT NO.			
21 053			

A101